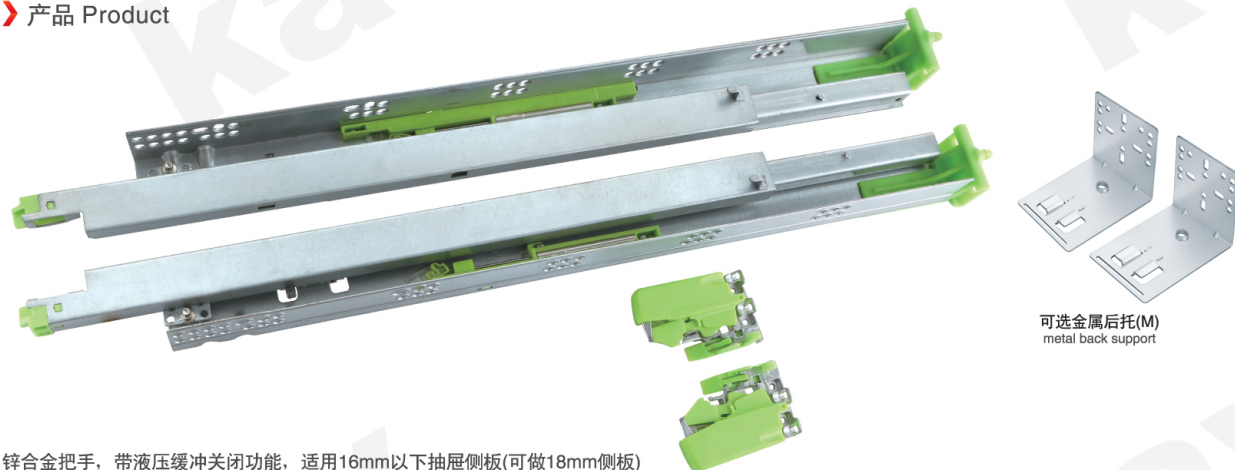


描述 Description

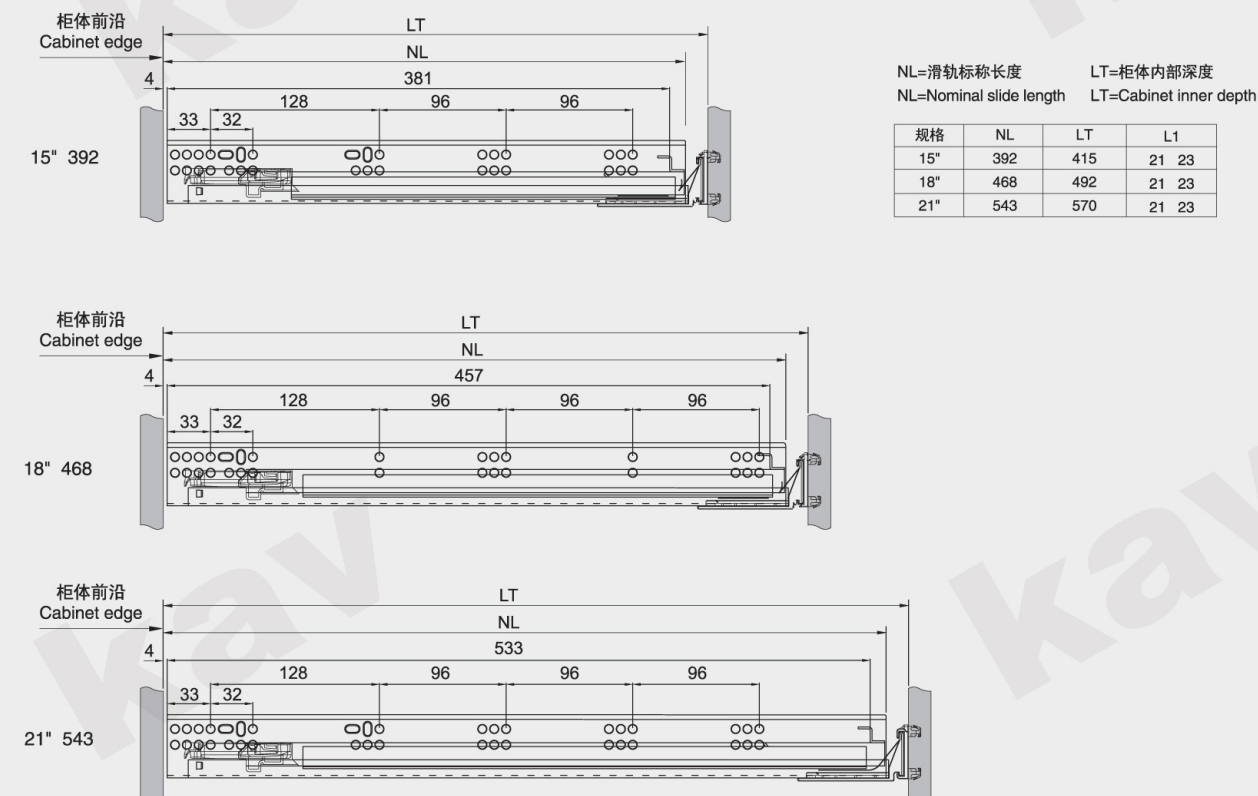
- 隐藏式全拉出缓冲滑轨
 - 动态负载: 30KG(18")
 - 材质: 镀锌钢板
 - 材料厚度: 1.8x1.5x1.0mm
 - 带快速拆装扣手, 抽屉可快速安装和拆卸
 - 抽屉面板高度间隙可调1-3mm
 - 适用抽墙板厚: 16mm/18mm
 - 可选长度规格: 250mm-600mm
 - 包装规格: 10套/箱
- Three-fold soft close concealed slide
 - Load capacity:30KG(18")
 - Material: Environment galvanized sheet
 - Material thickness: 1.8x1.5x1.0mm
 - Tool-free quick Installation
 - Drawer front height can adjust to 1-3mm
 - Suitable drawer wall thickness: 16mm/18mm
 - Length: 250mm-600mm
 - Packing: 10 sets/ctn

产品 Product

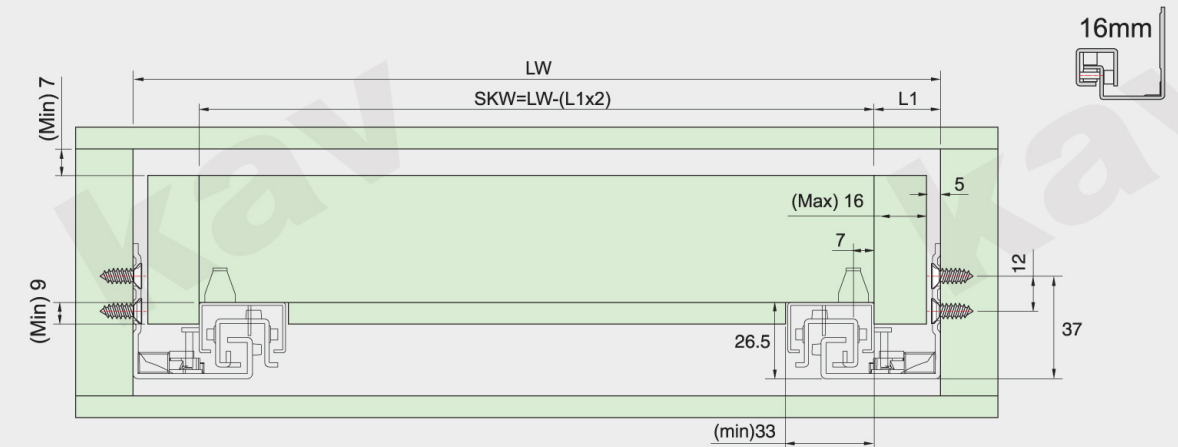


锌合金把手, 带液压缓冲关闭功能, 适用16mm以下抽屉侧板(可做18mm侧板)
Soft close slide, with zinc alloy handle, suitable for 16mm(max) or 18mm thickness drawer side.

侧轨安装孔位置 Cabinet profile screw positions

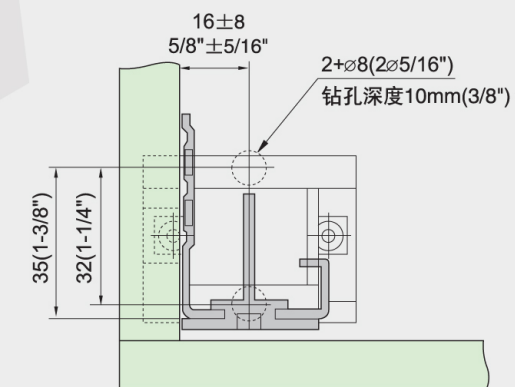


宽度尺寸 Width Dimension



LW=柜体内部净宽 LW=Cabinet inner width
SKW=抽屉宽度 SKW=Drawer width
最大尺寸 Max
最小尺寸 Min

塑料连接件安装孔尺寸 Installation Dimension



底部加工 Bottom Management

